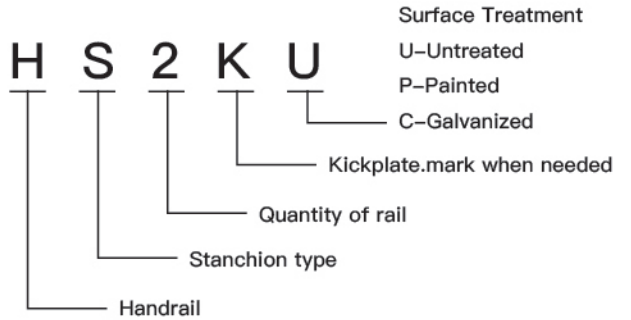


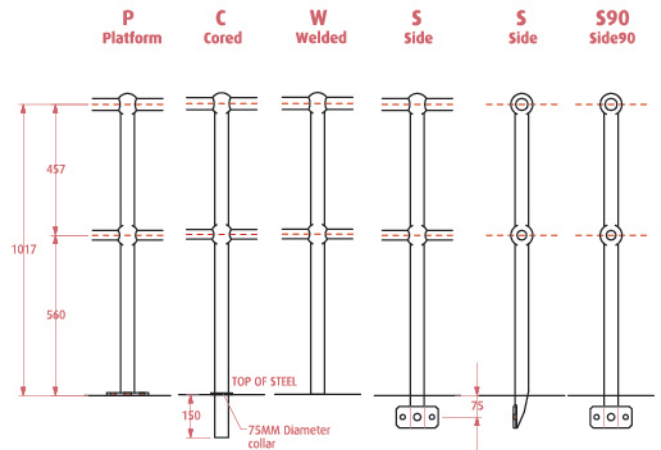
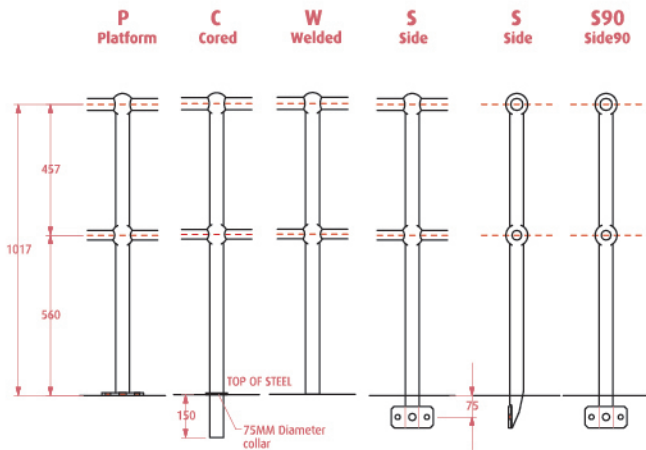
# Ball Joint Handrail System

Material Type	Stanchion		Handrail	
	Stanchion Pipe	Ball	Top-rail	Knee-rail
Standard	Ø48×3	Ø76×3	Ø42.3×2.75	Ø33.5×2.75
Economical	Ø42×3	Ø66×3	Ø33.5×2.5	Ø26.8×2.5

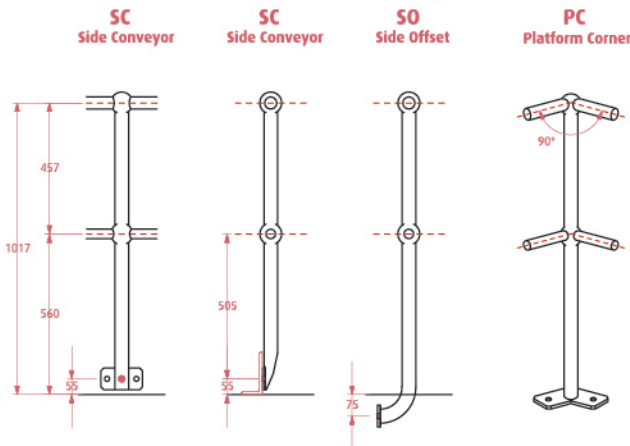
## TYPE MARK



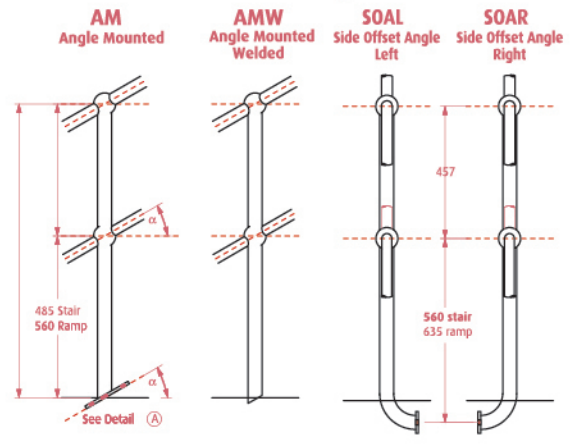
## BALL JOINT HANDRAIL



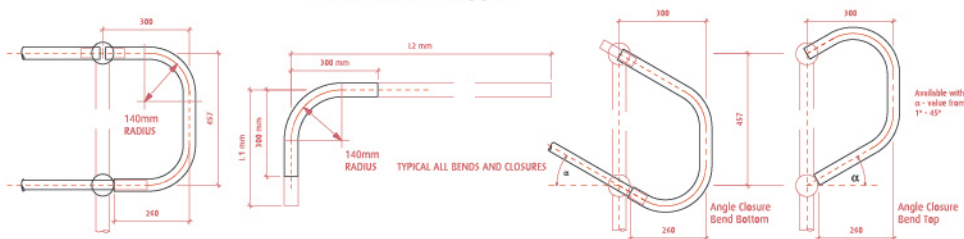
### Stanchion Type



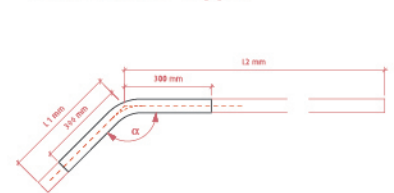
### Stanchion Type



### Stanchion Type



### Stanchion Type



Sino Composite Structures Co.,Ltd.

Mobile: +86-18921275456  
 WhatsApp: +86-18921275456  
 Email: sales@sino-grating.com

Ball joint handrail is easy installation, durable and widely used in mining, power ,petrochemical, etc. con-form to BS6399,AS1650-1985 and Chinese standard GB4053.3/GB17888.3.

