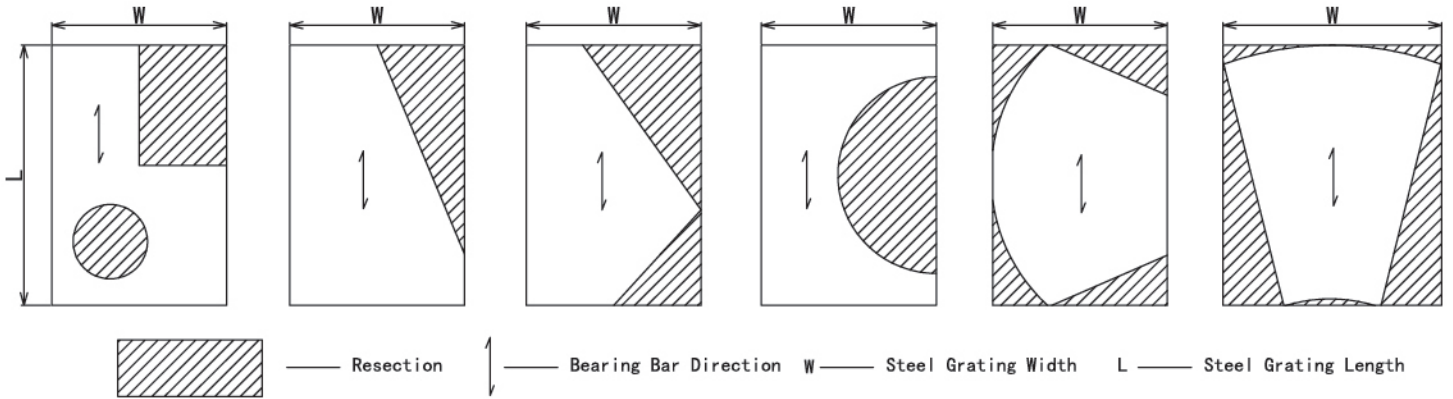
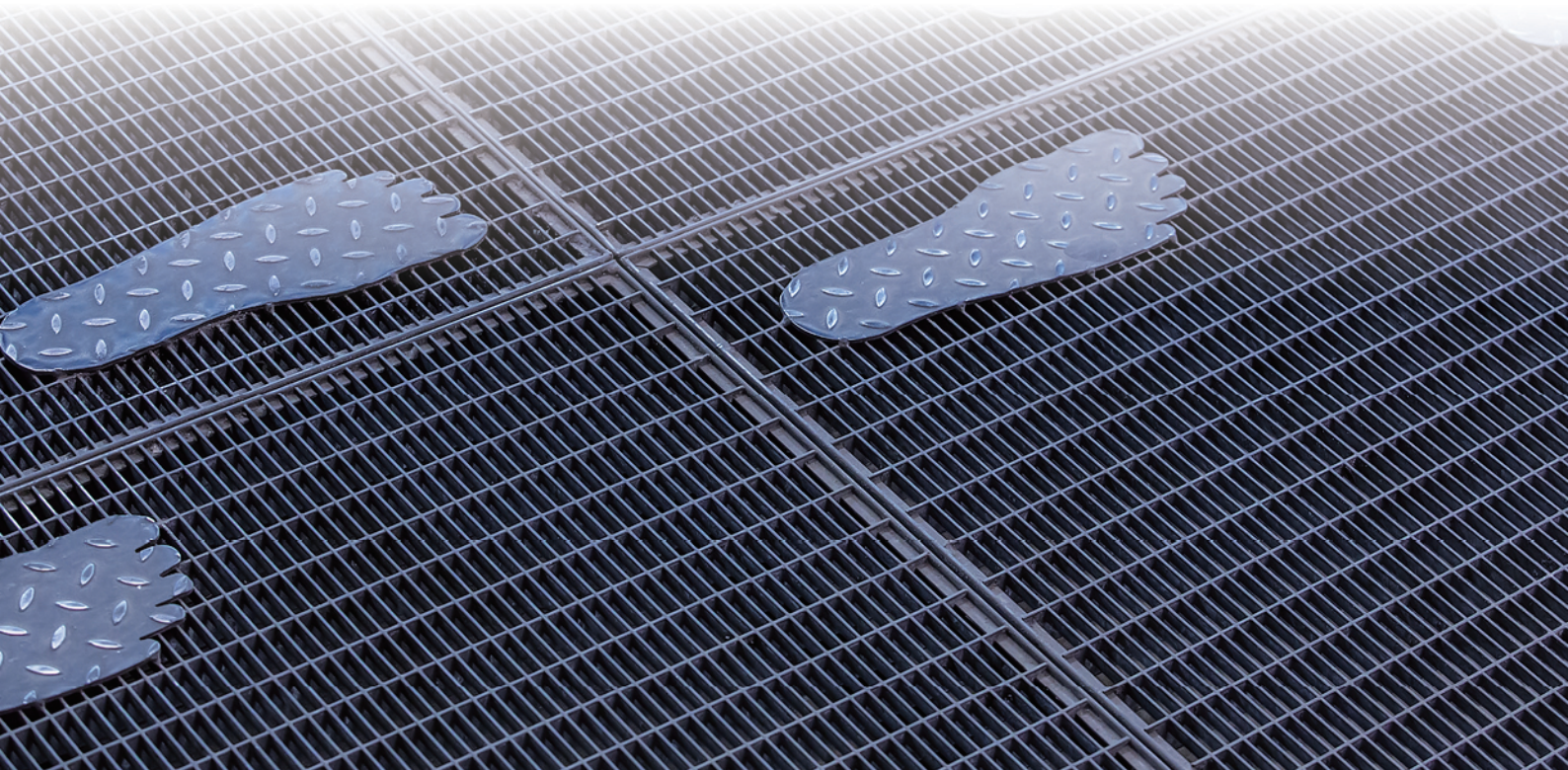


# Steel Grating Area Measurement

## AREA MEASUREMENTS



According to YB/T4001.1-2019, the area calculation principle is as following:  
 The area of the steel grating is calculated based on the external rectangular area ( $W \times L$ ), without deducting the area of the cutout.



Sino Composite Structures Co.,Ltd.

📱 Mobile: +86-18921275456

📞 WhatsApp: +86-18921275456

✉ Email: sales@sino-grating.com

